

T-HANDLE HEX KEYS



Description :

- ISO 2936 - DIN 911
- Ergonomic T-handle allows effective use of either end of wrench.
- Silicon steel.
- Finish: black phosphate.

B [mm] :

10

C [mm] :

52

L1 [mm] :

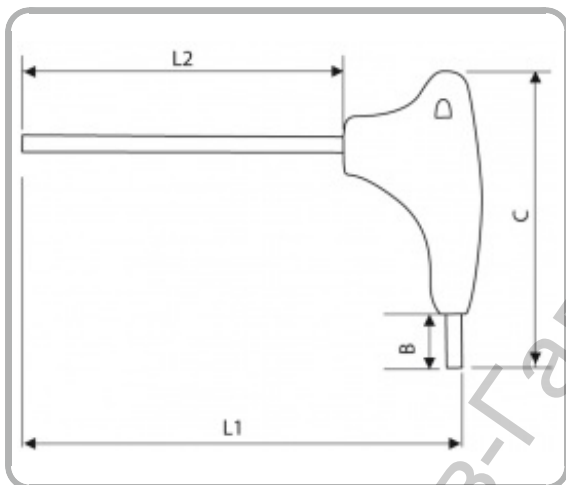
127

L2 [mm] :

100

Conditioning :

5



References :

| EXPERT | EAN | A [mm] | [g] |
|-----------------------|---------------|---------------|------------|
| <u>E113977</u> | 3258951139776 | 2,5 | 20 |
| <u>E113978</u> | 3258951139783 | 3 | 21 |
| <u>E113979</u> | 3258951139790 | 4 | 47 |
| <u>E113980</u> | 3258951139806 | 5 | 60 |
| <u>E113981</u> | 3258951139813 | 6 | 112 |
| <u>E113982</u> | 3258951139820 | 8 | 165 |
| <u>E113983</u> | 3258951139837 | 10 | 233 |
| <u>E121204</u> | 3258951212042 | 2 | 18 |

Ташев-Галвинг ООД
www.tashev-galving.com